

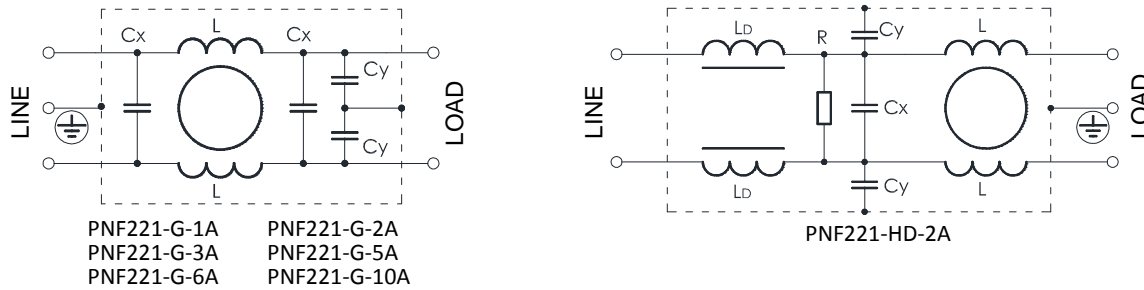
1 Features

- Compact, easy to install
- Low leakage current, excellent insertion losses
- CE approved
- Customization accepted

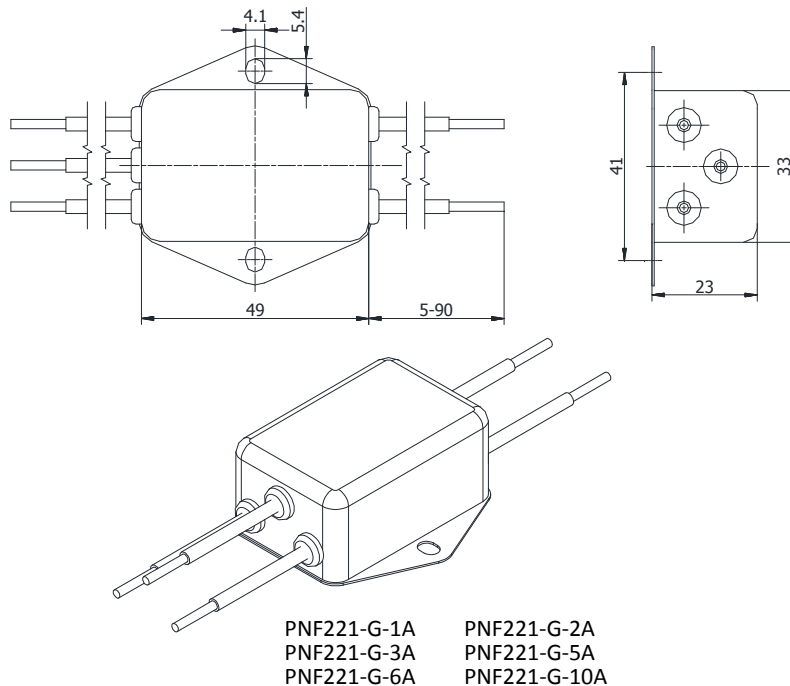
2 Technical Data

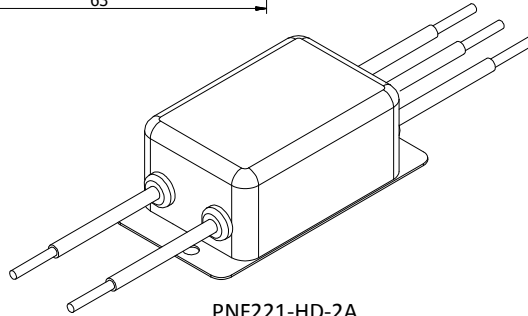
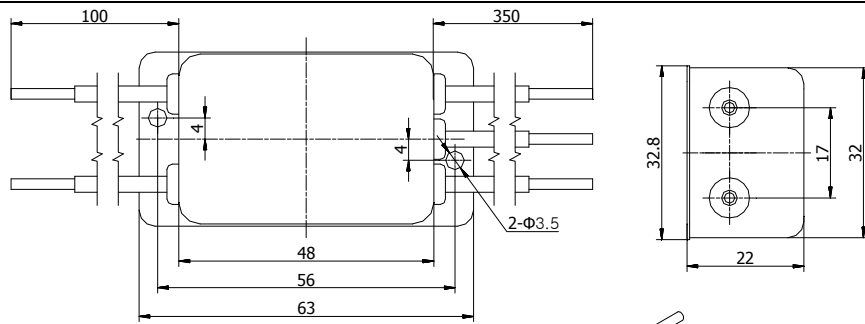
Type	Rated Voltage	Rated Current	Hi-Pot Test Voltage		Cx(μF)	Cy(nF)	L(mH)	R(MΩ)	Leakage Current 250V~50Hz
			Line-Line	Line-Ground	±10%	±20%	-30%~+50%	±10%	
PNF221-G-1A	250V-50/60Hz	1A	1800VDC,2s	1800V-50/60Hz,2s	0.1	3.3	6.8	/	<0.75mA
PNF221-G-2A	250V-50/60Hz	2A	1800VDC,2s	1800V-50/60Hz,2s	0.1	3.3	6.8	/	<0.75mA
PNF221-G-3A	250V-50/60Hz	3A	1800VDC,2s	1800V-50/60Hz,2s	0.1	3.3	2.0	/	<0.75mA
PNF221-G-5A	250V-50/60Hz	5A	1800VDC,2s	1800V-50/60Hz,2s	0.1	3.3	0.8	/	<0.75mA
PNF221-G-6A	250V-50/60Hz	6A	1800VDC,2s	1800V-50/60Hz,2s	0.1	3.3	0.8	/	<0.75mA
PNF221-G-10A	250V-50/60Hz	10A	1800VDC,2s	1800V-50/60Hz,2s	0.1	3.3	0.45	/	<0.75mA
PNF221-HD-2A	250V-50/60Hz	2A	1800VDC,2s	1800V-50/60Hz,2s	0.22	4.7	L=6.0 Ld=0.1	0.68	<1.1mA

3 Electrical Schematic



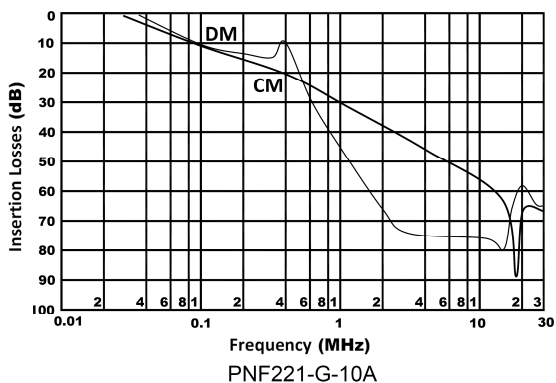
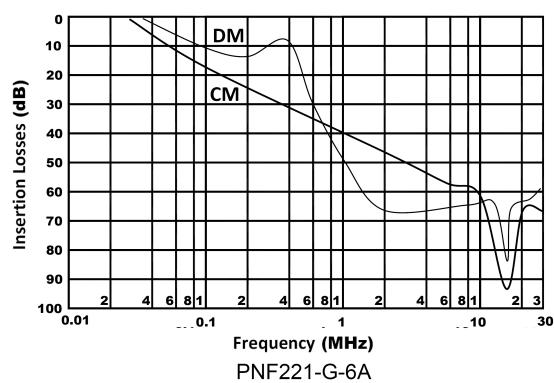
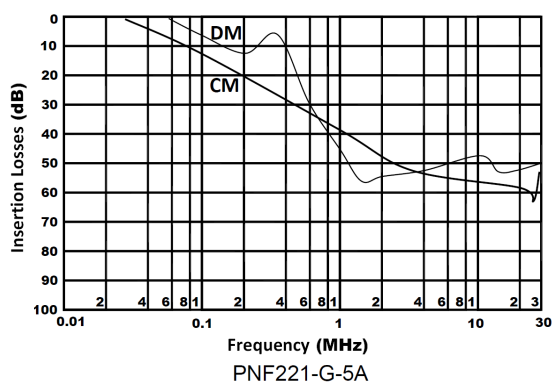
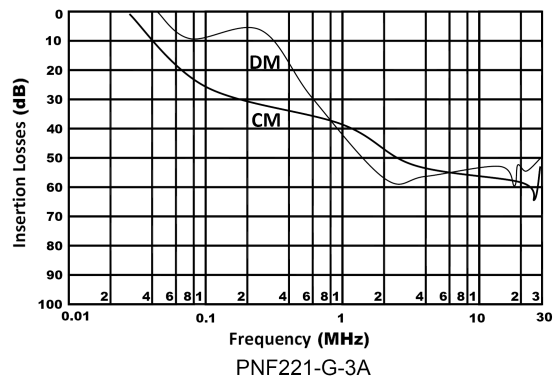
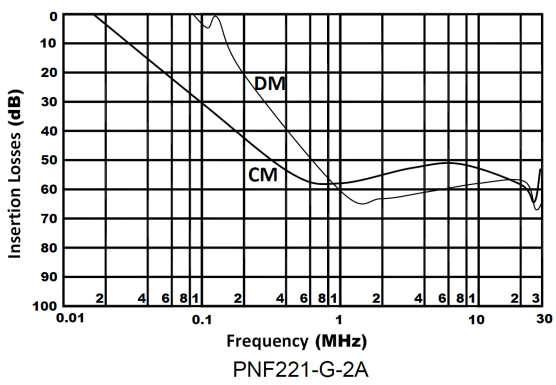
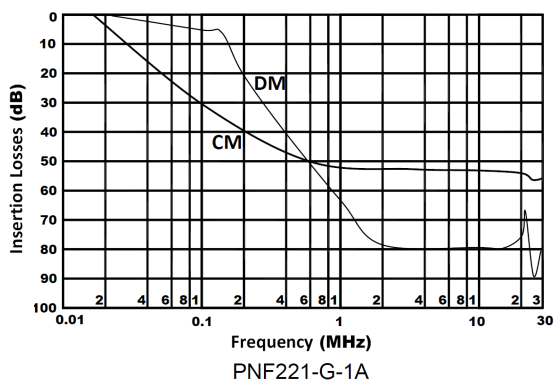
4 Dimensions (Unit: mm)

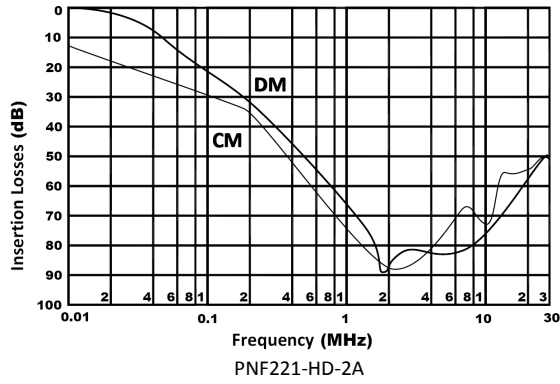




PNF221-HD-2A

5 Typical Insertion Losses In 50Ω System: (CM-Common Mode DM-Different Mode)





## 6 Installation Instructions

- 1 ) Good electrical connection is needed between filter casing and equipment shell.
- 2 ) Connecting the filter's input and output according to the provision on the label of LINE and LOAD.
- 3 ) The input wiring and the output wiring should be strictly separated, cannot be bundled together.